

Light-System



Light-System - Q.bus

- **4 LED-Spots** - on each front pillar 2 spots
- pre-installed incl. Cable; controls by customer
Schalter od. Funkreceiver von Somfy gegen Mehrpreis
- 230 Volt; cble inside front pillar and with cable chnel (25 x 18mm)
on top front traverse
- pro spot 3W-LED; life expectancy ca. 30.000 h / per 25.000 switch on/off
- housing protection class IP65 (dustprofe / hose-proof).
- spot installation high is fix from bottom pillar = 500mm
- spot installation high is fix fromtop pillar = 550mm
- colour - brushed stainless steel

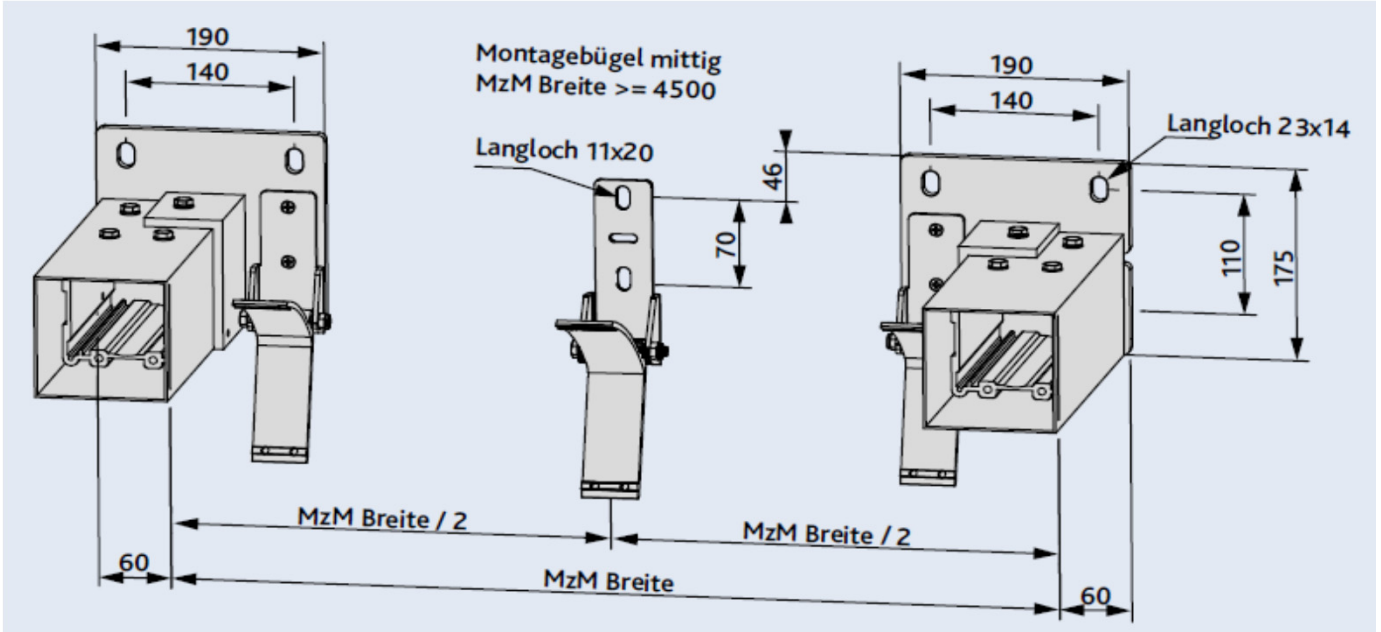


Light-System - more than one unit in one line

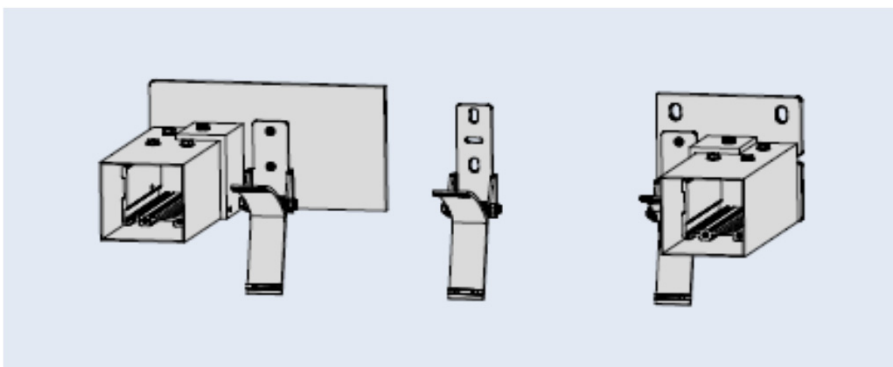
additional to basic price above

- **2 LED-Spots** - on each front pillar 2 spots

Wall mounting

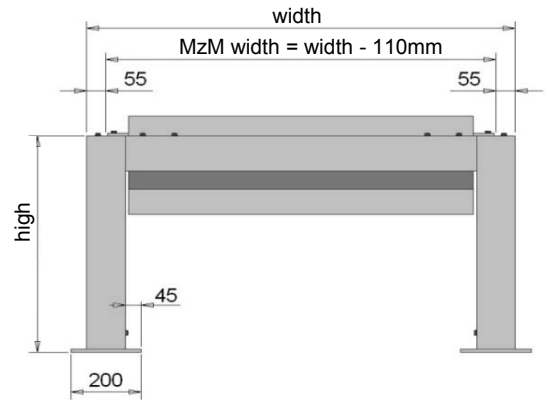
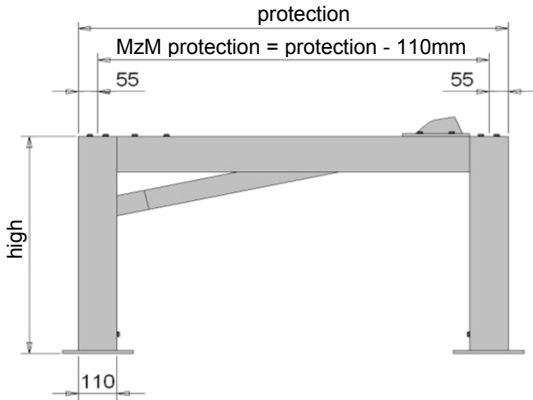


Q.bus with wall mounting take care to transform the pattern of drilling on the wall.
Up to MzM-width 4500mm you need one bracket in the middle.



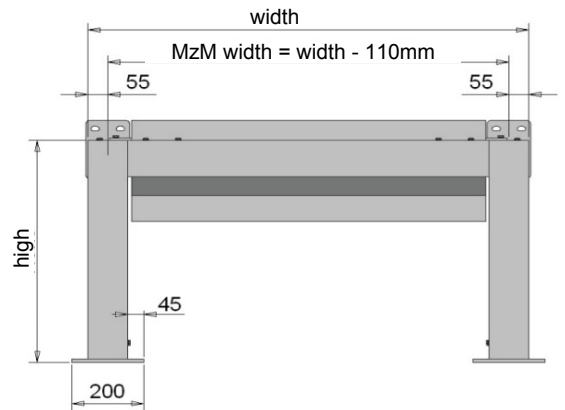
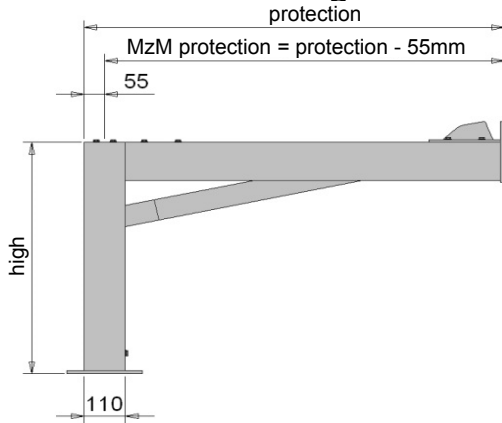
Example with a wall mounting extension plate for corner solutions. The picture showed extension with lft side mounting. Please drill all hole you need by your self on the extension plate.

Standard free-standing version



standard:
 MzM = middle to middle profile
 width min = 1600mm
 protection min = 2000mm
 high max = 3000mm

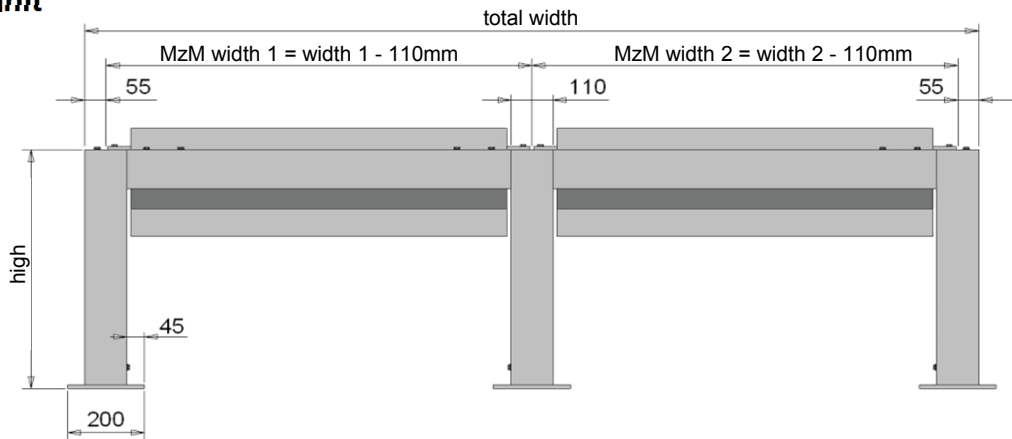
Standard wall-mounting version



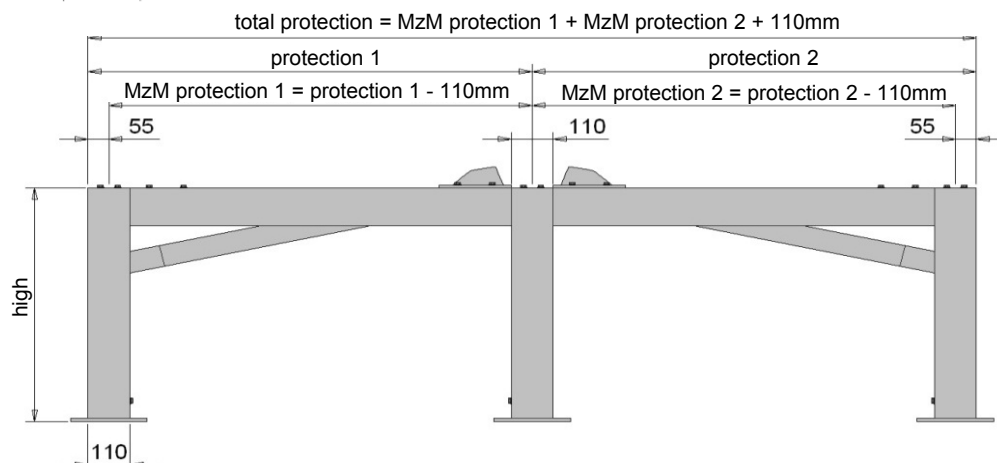
standard:
 MzM = middle to middle profile
 width min = 1600mm
 protection min = 2000mm
 high max = 3000mm

more than one unit

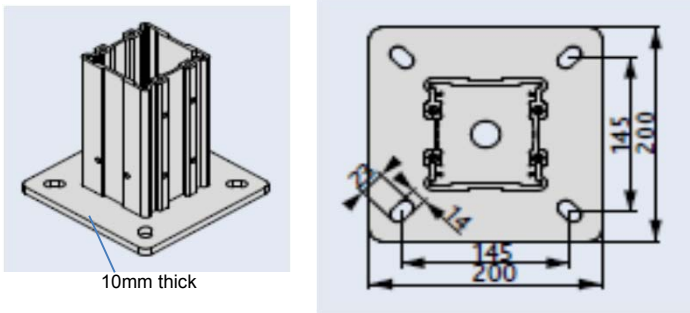
side by side
 high max = 3000mm



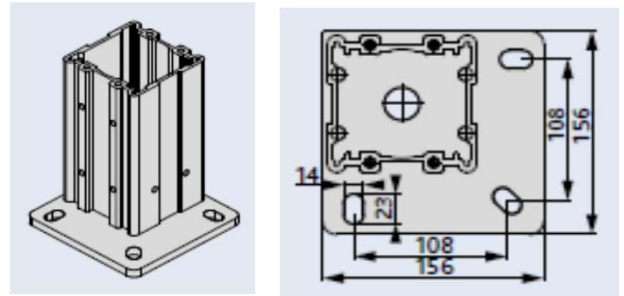
in serie
 high max = 3000mm



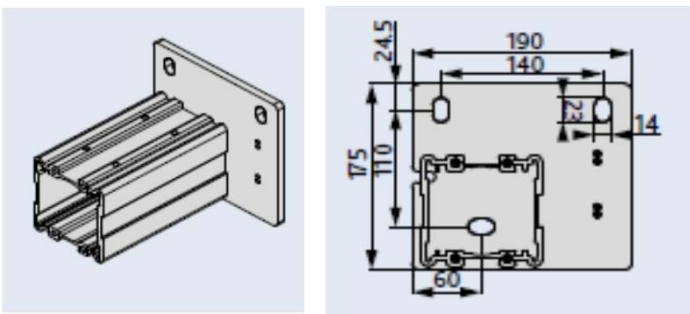
ground plate (art.-no. 8440.99.16XX)



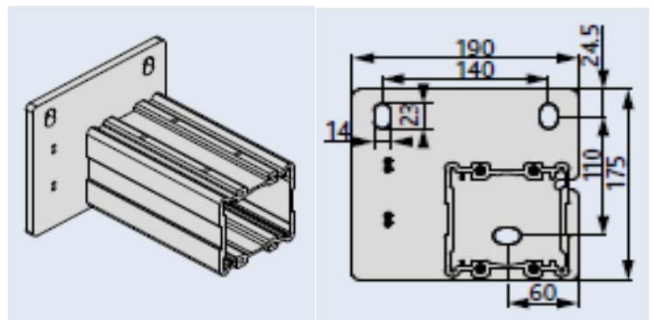
ground plate corner solution (art.-no. 8421.54.10XX)



wall mounting plate, left (art.-no. 8440.90.10XX)

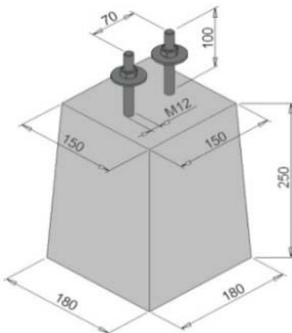


wall mounting plate, right (art.-no. 8440.90.12XX)



concret pod - to fixing only

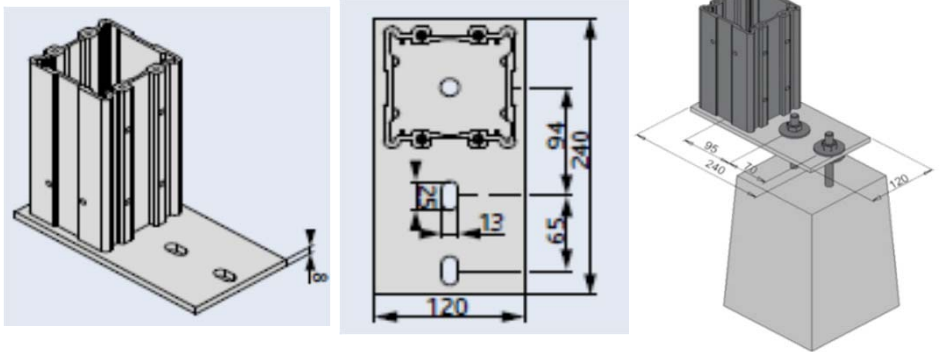
concret fundament (C25) with
600 x 600 x 800mm deep necessary



(fixation with mounting plate only,
ground plate not applicable)
art.-no.: 8770.03.1700

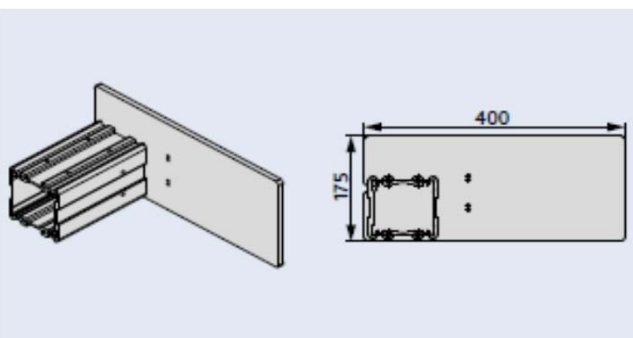
mounting plate for concret pod

galvanized (art.-no.: 8440.99.8700)



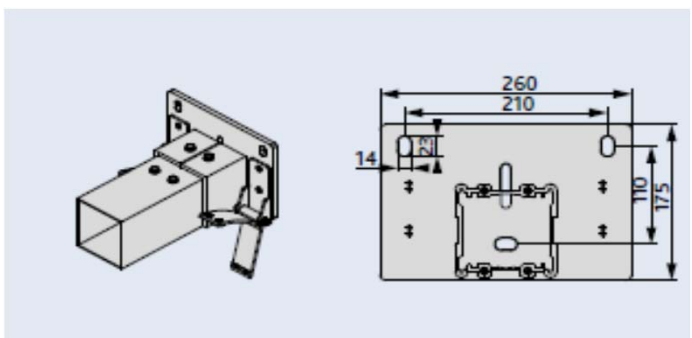
wall mounting plate extended

art.-no.: 8600.14.10XX

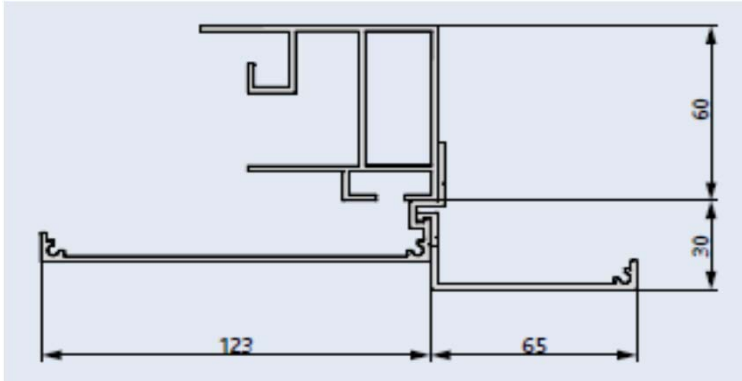


wall mounting (middle) plate, series mounting

art.-no.: 8440.90.15XX

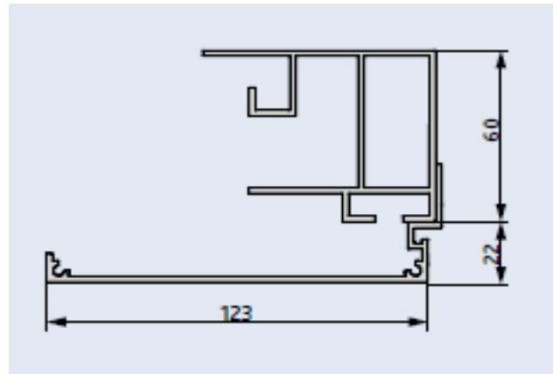


adding profile, Typ 1, two pieces



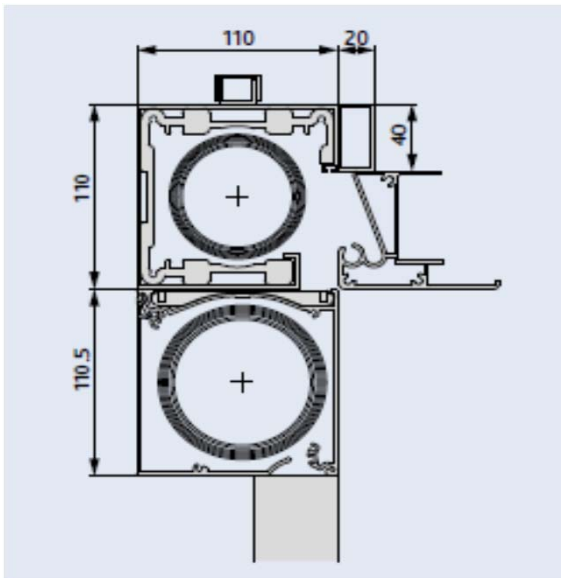
mounting: with protection direction on guiding rails

Typ 2, one piece



used for Solaroll SZ (ZIP)

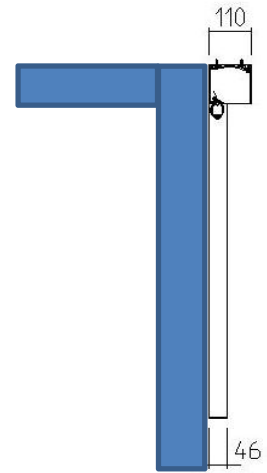
mounting detail adding profile with Solaroll SZ (ZIP) unit, below horizontal front support



outside mounting for ZIP
(standard bei Q.bus)

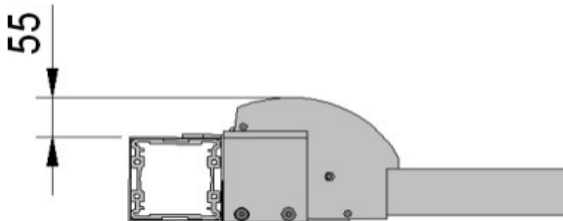


inside mounting ZIP
(standard for window mounting)

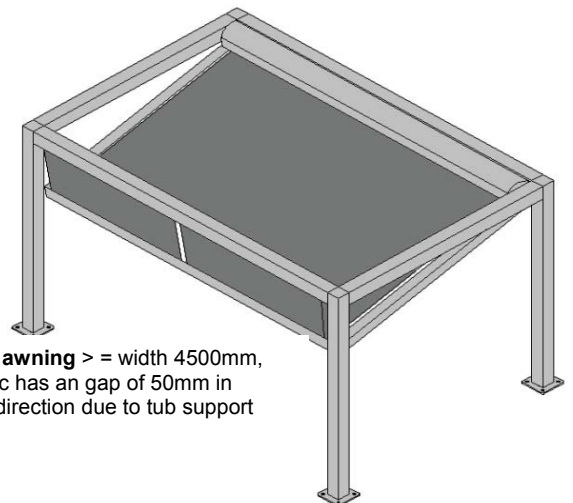


awning box overlap

box overlap + max high 3000mm



detail - vertikal awning with gap



vertical awning > = width 4500mm,
the fabric has an gap of 50mm in
vertical direction due to tub support